

Basic features

Approval/Conformity	CE cURus cULus WEEE
Basic standard	EN 61204
Series	Standard
Short description	Switching power supply
Version	DIN rail

Electrical connection

Connection	0.25...4 mm ²
-------------------	--------------------------

Electrical data

Derating	-1.67 %/°C > +40 °C / 115 V AC -2.5 %/°C > +50 °C / 230 V AC
Display	DC LOW DC ON
Efficiency typ.	88 %
Hold-up time	≥ 10 ms at 115 V AC ≥ 16 ms typ. at 230 V AC
Input fuse	F 10 A
Input voltage	85...264 V AC
Input/output insulation voltage	3000 V AC
Inrush current	≤ 40 A at 115 V AC ≤ 80 A typ. at 230 V AC
Isolation resistance	≥ 100 MOhm
Output capacity max.	480 W
Output voltage	24 VDC
Output voltage, tolerance	+1 %
Protection class	I
Rated input current	5.4 A at 115 V AC 2.7 A at 230 V AC
Rated output current	20 A
Setting range	22...28 V DC
Settling time	2 ms
Turn-on time max.	1 s

Switching Power Supplies
BAE PS-XA-1W-24-200-019
Order Code: **BAE0114**

BALLUFF

Working frequency 47...63 Hz

Environmental conditions

Ambient temperature	-20...70 °C
Contamination scale	2
Cooling	Free convection
EN 60068-2-27, Shock	Half-sinus: 11 ms (10 G), X-axis
EN 60068-2-6, Vibration	Sinus waves: 10Hz to 500Hz, acceleration 19.6m/s ² (2g peak) 10 min/cycle, 60 min, X-axis
IP rating	IP20
Over temperature	protected
Relative humidity	20...95 %, non-condensing
Storage temperature	-40...85 °C
Temperature coefficient max.	±0.03 %/K

Material

Housing material Metal

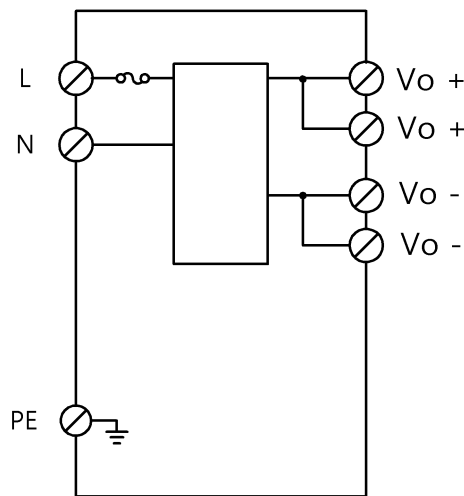
Mechanical data

Dimension	85.5 x 123.6 x 128.5 mm
Mounting part	DIN rail mount
Weight	1.30 kg

Remarks

Values measured at +25 °C and full load.

Wiring Diagrams



L